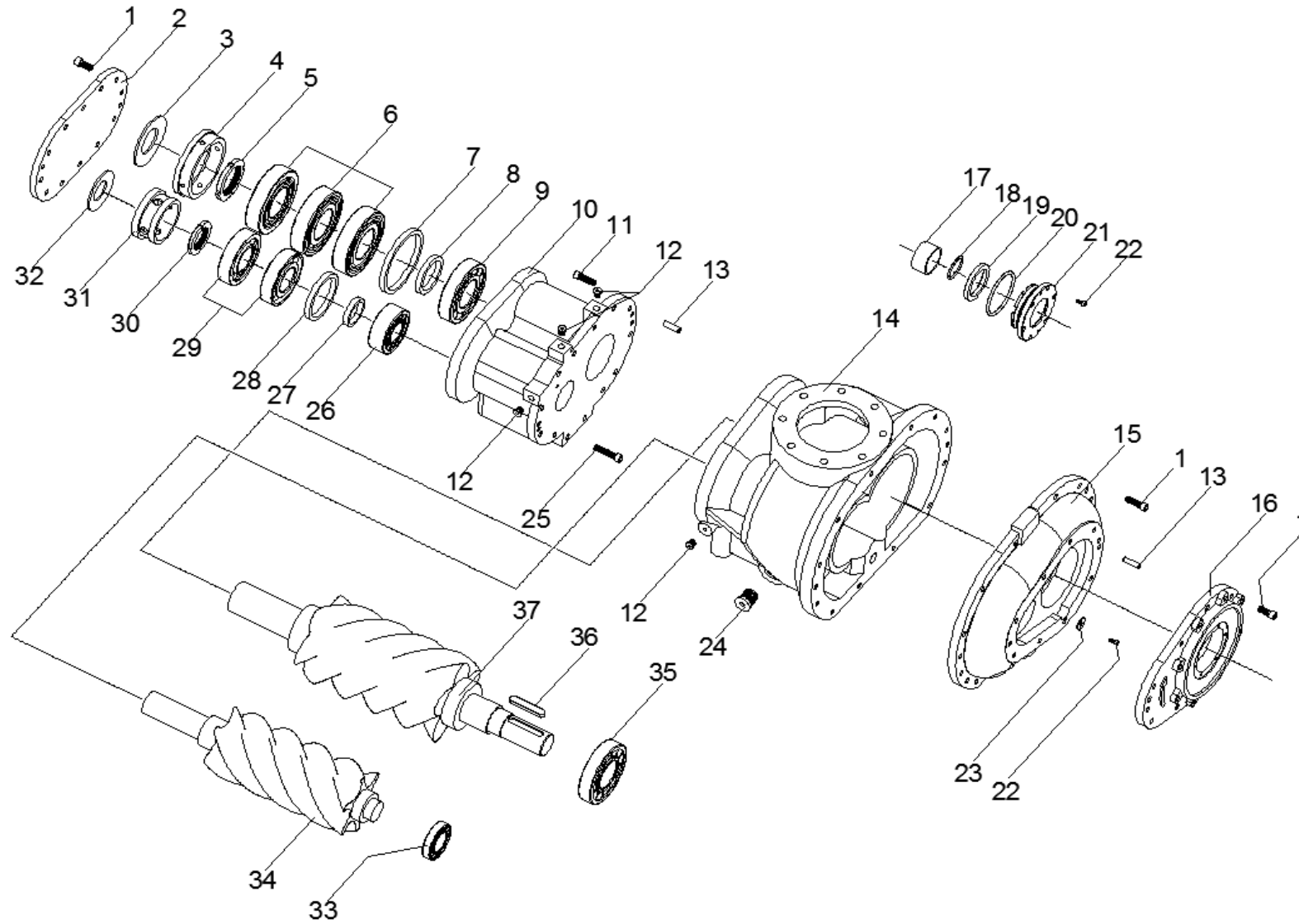


**AA-1200R Construction BOM**



### AA-1200R Construction BOM

Item	Number	Description	Quantity	Item	Number	Description	Quantity
1	4301-1102030C	Bolt	37	22	4301-106016	Bolt	8
2	35330-1101AA	Discharge Cover Plate	1	23	4303-103	Flat Washer	1
3	4307-DB140	Disc Spring	1	24	4305-925	Plug	1
4	35330-1109AA	Bearing Spacer	1	25	4301-1102055C	Bolt	3
5	4302-275	Bolt	1	26	4102-NU231E	Bearing	1
6	4101-7315BUO	Bearing	6	27	35330-1137AA	Spacer Ring	1
7	3509-113DA	Spacer Ring	1	28	3530-113AAA	Spacer Ring	1
8	3509-1134A	Spacer Ring	1	29	4101-7311BUO	Bearing	2
9	4102-NU2315E	Bearing	1	30	4302-255	Bolt	1
10	35330-1131AF	Bearing Seat	1	31	35330-1111AA	Bearing Spacer	1
11	4301-112040C	Bolt	10	32	4307-DB125	Disc Spring	1
12	4305-924	Plug	6	33	4102-NJ210E	Bearing	1
13	3504-1102A	Parallel Pin	6	34	35330-1166AA-A	Female Rotor	1
14	35330-1141AF	Housing	1	35	4102-314E	Bearing	1
15	35330-1166AG	Bearing Seat	1	36	3504-1164A	Parallel Key	1
16	35330-1163AB	Front Cover Plate	1	37	35330-1132AA-A	Male Rotor	1
17	4807-03	Bush	1				
18	4201-VG055	O-Ring	1				
19	4203-068090R	Shaft Seal	1				
20	4201-VG105	O-Ring	1				
21	3504-1161D	Seal Cover	1				